



 **SIGER**

SIRAY / SIRAY PLUS
Intraoral X-Ray Unit

SIRAY / SIRAY PLUS

SIGER **SIRAY** and **SIRAY PLUS** Intraoral X-ray unit provide top-quality images for various diagnostic needs

High frequency DC constant voltage control technology

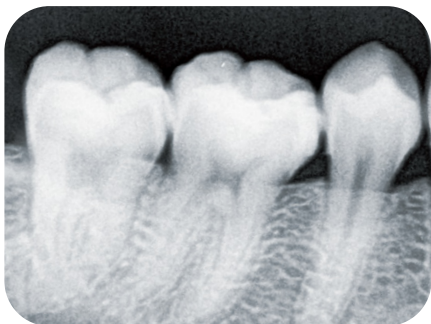
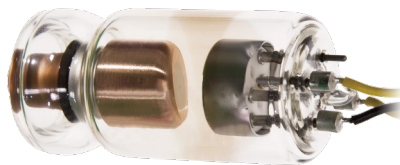
Compared to power frequency technology:

- ◎ Better image quality
- ◎ Greatly reduces the radiation dose
- ◎ Extend the service life of the X-ray generator
- ◎ The amount of radiation output is not affected by voltage fluctuations



High quality image

- ⊙ Advanced high frequency and constant voltage DC generator
- ⊙ High quality DC X-ray tube
- ⊙ 0.4mm focal spot delivers sharp images in high resolution
- ⊙ The selectable kV values (60kV/65kV/70kV) and mA values (2mA / 7mA) provide excellent images for diagnosis and research



Stable and reliable



Automatic detection and correction for mains voltage fluctuations. X-ray output is not affected by voltage fluctuation.



High-strength alloy and lead coated tube head minimize X-ray leakage.



Overheat protection will be activated when the temperature of tube head exceeds 60°C.



Intervalometer ensures operation safety.



In case of emergency during exposure, release the exposure button to terminate exposure.



Fault self-diagnosis system helps to improve the efficiency of services and maintenance.



Convenient imaging parameter settings

Based on abundant clinical data, Siray / Siray Plus provides 48 pre-programmed settings for different exposure value combinations, according to the exposure region, patient size, imaging mode, etc.

8 exposure region can be chosen on the control panel:



Expert parameter setting

Professional users can preset various parameters and save to the corresponding exposure program. It is also possible to adjust appropriate parameters before exposure according to actual needs.

- ⊙ The exposure time can be adjusted between 0.02 and 2 seconds.
- ⊙ 60Kv, 65kV and 70kV anode pressure is selectable.
- ⊙ 2mA and 7mA anode current is selectable.
- ⊙ Adult / child mode selection is available.
- ⊙ Film-based mode, phosphoric mode and digital imaging mode selection is available.

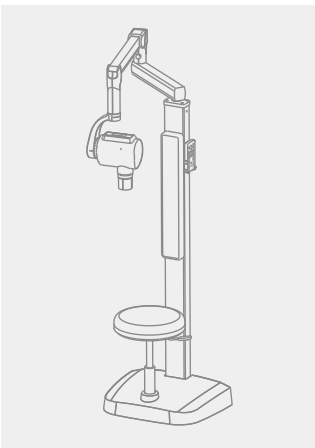


SIRAY PLUS Floor-mounted

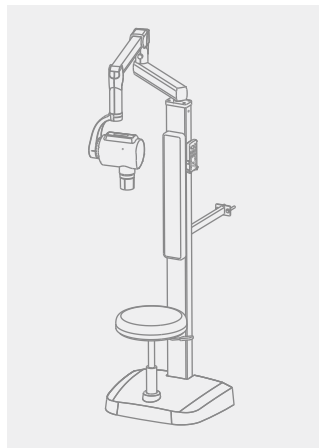
- © The cross arm allows 330 degrees rotation and flexible movement.
- © The livable stool is well-designed and comfortable.



Four mounting methods are available according to actual clinic environment.



Floor-mounted



Wall-mounted



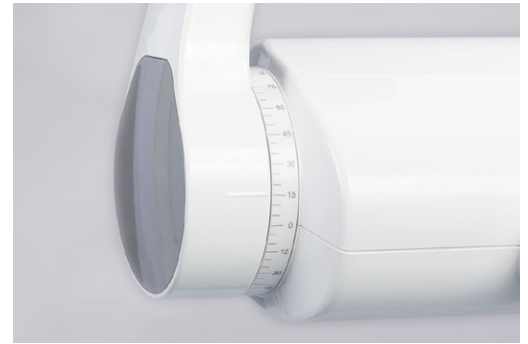
Floor Stand



Mobile Stand

Flexible movement and drift-free positioning

Accurate positioning is necessary to ensure high quality images. The steady arm of SIRAY and SIRAY PLUS X-ray Units apply engineering mechanics design to allow easy and accurate targeting.



Scale for the cone angle make the positioning easy and accurate.

Scientific weight ratio makes sure the smooth rotation and positioning without drifting.

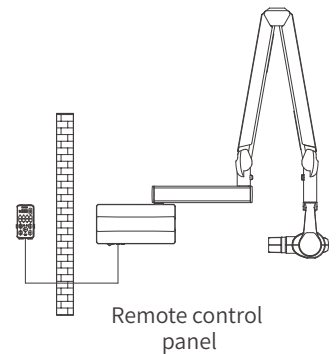
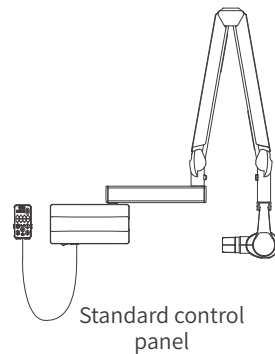
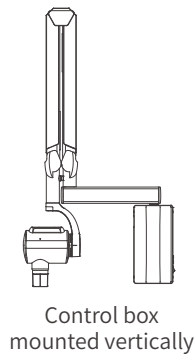
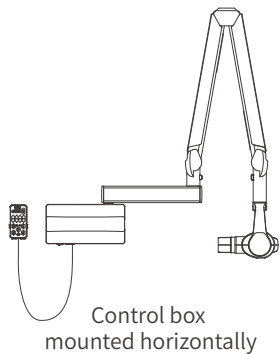
SIRAY folding arm with a new optimal design make sure of smooth and flexible movement and stable positioning, which brings pleasure experience for operator.

Installation options

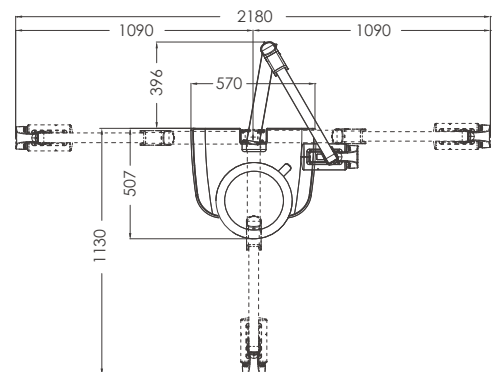
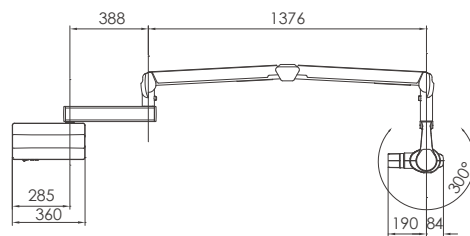
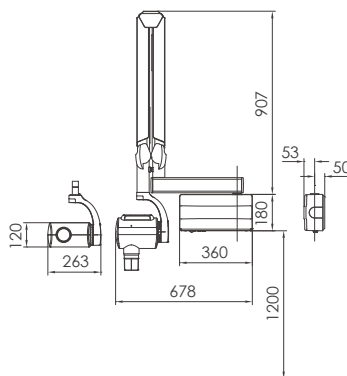
Control box can be mounted horizontally or vertically according to usage environment.

Control box with build-in gradienter makes it more convenient to install the X-ray unit.

Control options



Dimension



Parameter

Mains voltage	AC230V
Mains frequency	50 / 60Hz
Power input	900VA
Generator	100 - 200KHz
Focal spot size	0.4mm
Tube Voltage	60kV / 65kV / 70kV

Anode current	2mA / 7mA
Total filtration	≥2mmAl (70kV)
Inherent filtration	≥0.75mmAl (70kV)
Radiation leakage rate	Less than 0.25mGy/h at a distance of 1m
Duty cycle	1 / 30
Exposure time	0.02 - 2s



SIRAY / SIRAY PLUS



Zhuhai Siger Medical Equipment Co., Ltd

Add : Building 2, No.1, Chuangxin Yi Road, Tangjiawan Town, Zhuhai

Tel : 86 - 756 - 3881087 Fax : 86 - 756 - 3881028

Email : info@siger.cn Web : en.siger.cn